

1 2 3 4 5 6

A

B

C

D

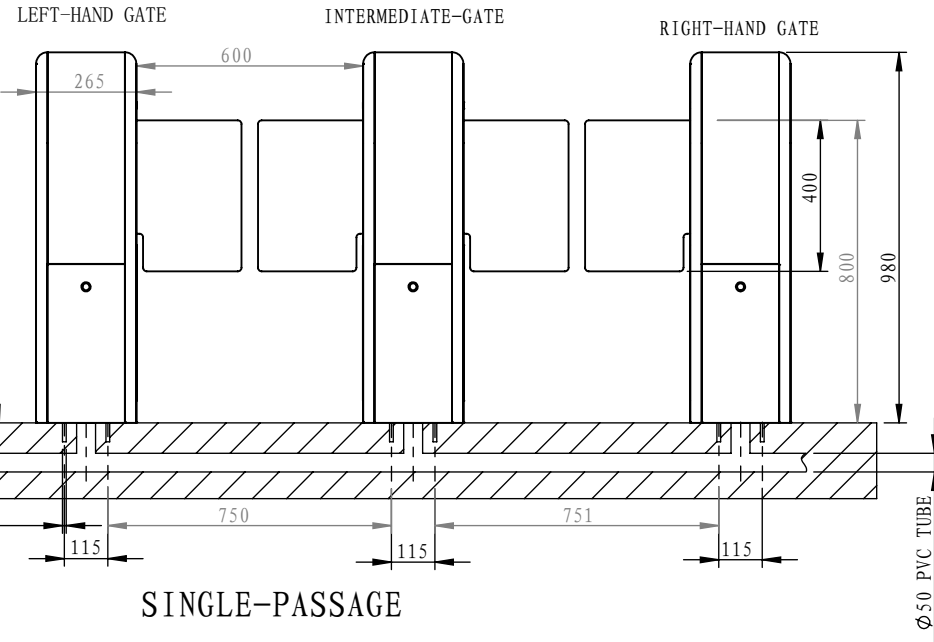
A

B

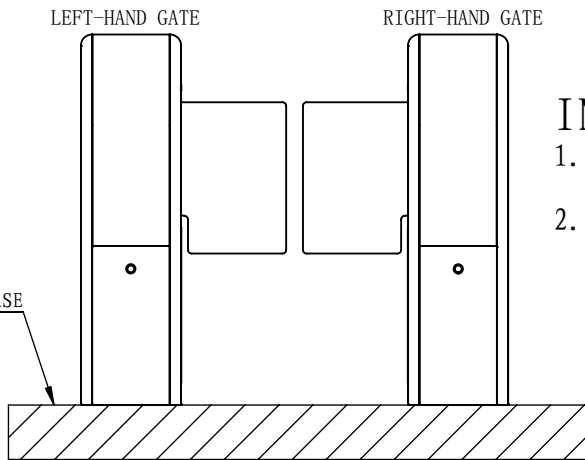
C

D

TWO-PASSAGE

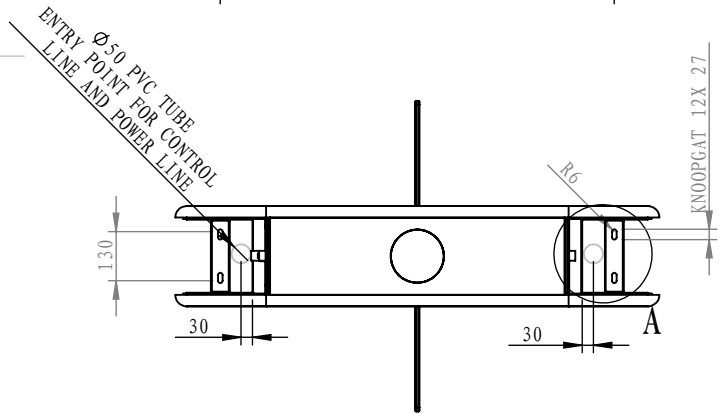
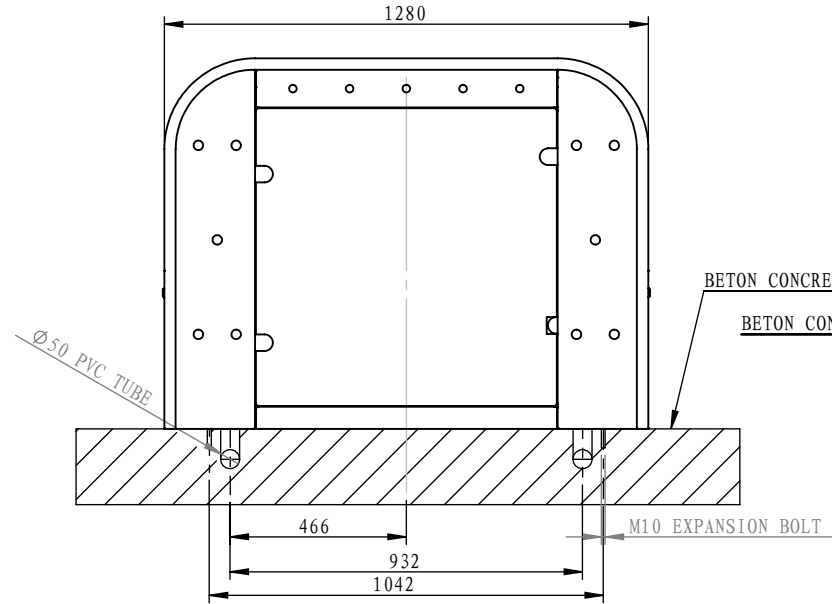


SINGLE-PASSAGE

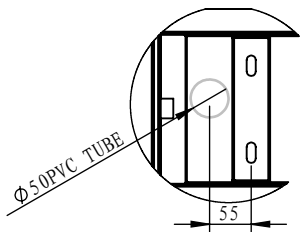


INSTALLATION:

1. FIXING THE EQUIPMENT WITH M10X80 EXPANSION BOLT
2. ARRANGING WIRES WITH Ø50PVC TUBE; THE POWER WIRE FOR THE EQUIPMENT IS 3G2.5 SQUARE



DETAIL A
SCALE 1 : 10



EXPANSION BOLT IS INSTALLED IN ELLIPSE TO FIX THE EQUIPMENT, AND CONTROL LINE AND POWER LINE ARE IMPORTED FROM Ø50PVC

				TITLE: SWING GATES			DWG. NO.: ES3200	
REVISION MARK	NUMBER OF REVISION	SIGNATURE	DATE	MATERIALS:			PROJECTIVE MARK	FINISH
DESIGNED							— ◁ ⊕ —	
DRAWN				VERSION	NUMBERS	SCALE		TOTAL: PAGE
CHECKED							PAGE:	
STANDARDIZATION								
APPROVED								
							SHENZHEN ESSENCE INFORMATION TECHNOLOGY CO., LTD	

1 2 3 4 5 6